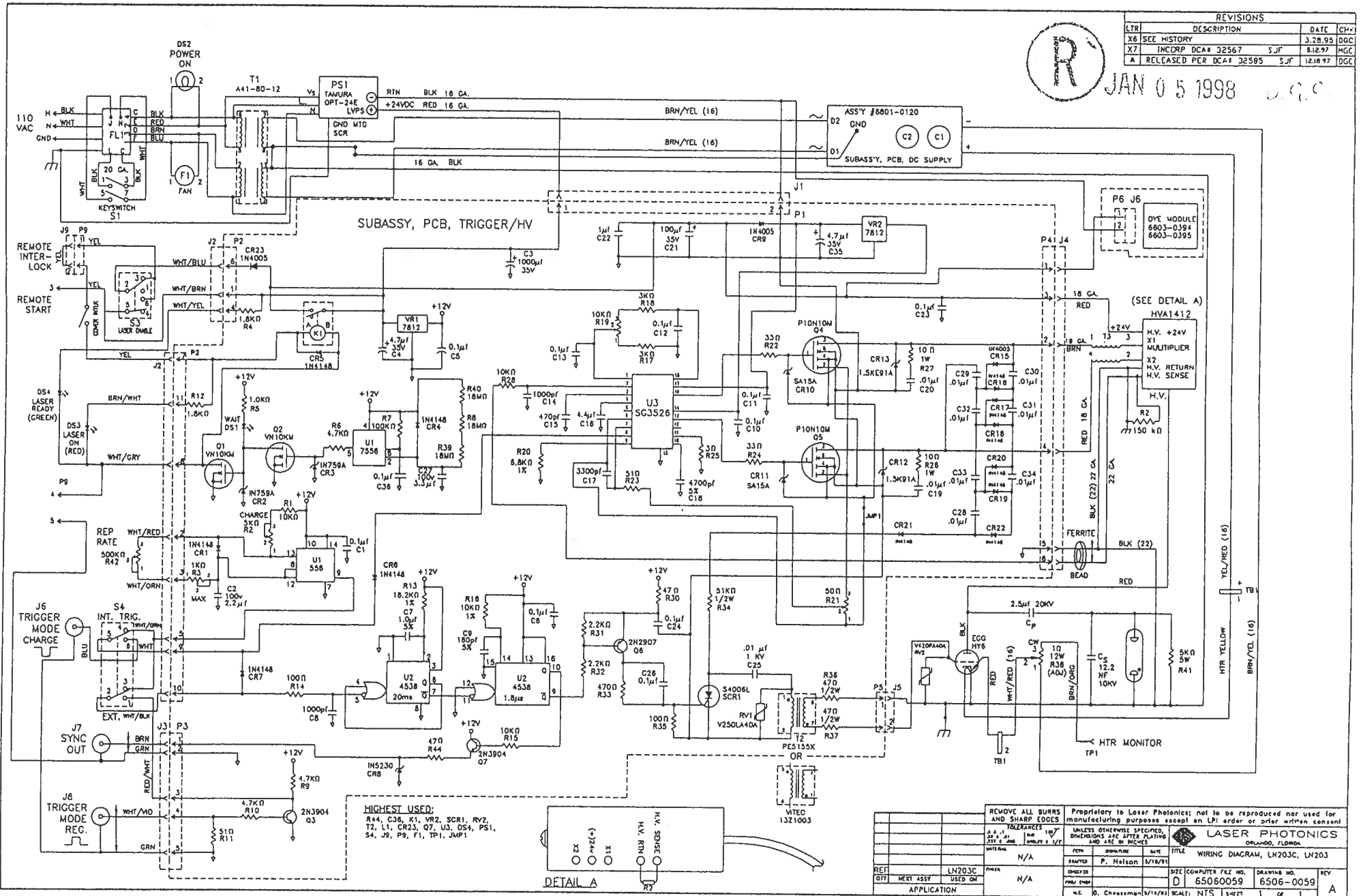


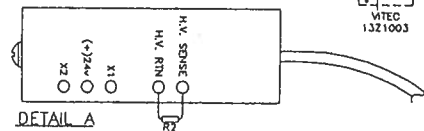
REVISIONS			
LTR	DESCRIPTION	DATE	CHK
X6	SEE HISTORY	3-28-95	DGC
X7	INCRP DCA# 32567	5JF	8-18-97
A	RELEASED PER DCA# 32585	5JF	12-18-97



JAN 0 5 1998



HIGHEST USED:  
 R4, C36, K1, VR2, SCR1, VR2,  
 T2, L1, CR23, Q7, U3, DS4, PS1,  
 S4, J8, P9, F1, TP1, JWP1



REMOVE ALL BURRS AND SHARP EDGES	TOLERANCES	Proprietary to Laser Photonics; not to be reproduced nor used for manufacturing purposes except on LPI order or prior written consent.		
	UNLESS OTHERWISE SPECIFIED, DIMENSIONS ARE AFTER PLATING AND ARE IN INCHES	LASER PHOTONICS ORLANDO, FLORIDA		
REF	LN203C	DATE	5/18/91	TITLE
CHKD		BY	P. Nelson	WIRING DIAGRAM, LN203C, LN203
APP'D		DATE		
APP		REV	D	65060059
APPLICATION		SCALE	1" = 1"	REV