

REV. Status

REVISION - 10/22/99 TS
REVISION A CHANGED F SEE PG. 2 11/22/99 TS
REVISION B CHANGED HI-POT, SAFETY AND SCHEMATIC. 05/21/01 MP
REVISION C REV'D HI-POT 09/20/04 MP
REVISION D ADDED RoHS & UPDATED LABEL 01/26/06 MP
REVISION E CHG TUV FILE # WAS 810/89 (EN60950 & VDE 0551). CLARIFIED PIN OUTS 04/19/07 YS
REVISION F UPDATED SAFETY 11/15/07 YS
REVISION G UPDATED SAFETY 10/19/12 MP
REVISION H SAFETY NOTES ADDED 03/20/13 MP
REVISION J UPDATED PHONE# 01/16/20 MP

TOLERANCES (mm)
≤ 4 ± 0.2
4 ≤ 20 ± 0.3
20 ≤ 50 ± 0.4

PREPARED BY:

C. POPPE

ENGINEER:

M. PITCHAI

SAFETY ENGINEER

APPROVED:

M. PITCHAI

THREE FLANGE DUAL PRIMARY 5.0VA PC BOARD POWER TRANSFORMER

A. Electrical Specifications (@ 25 °C)

1. Maximum Power; 5.0VA
2. Primary Voltage and Frequency; 115/230VAC 50/60Hz
3. Secondary RMS Rating: See Table A
4. Voltage Regulation; 20% TYP @ full load to no load
5. Temperature Rise(normal op. cond.); 30°C TYP (45°C MAX)
6. A 10% Input Voltage change will proportionally affect transformer sec voltage. The max. allowed wdg temp under abnormal condition is 155°C
7. Insulation Resistance:
100MΩ MIN @ 500VDC, Pri to Sec, Pri to Core, Sec to Core
8. Dielectric Withstand: 3750Vrms 1 minute @ Pri to Sec
1500Vrms 1 minute @ Pri to Core, Sec to Core

B. Marking; includes input and output ratings (per sheet 2)

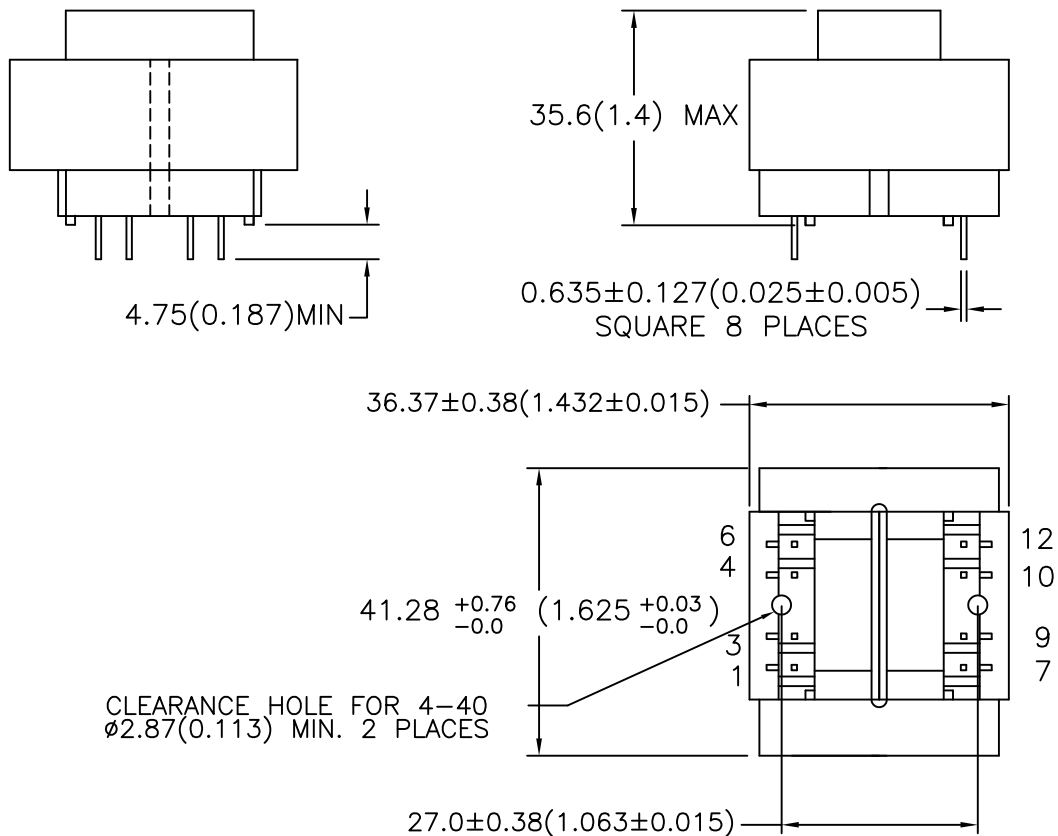
C. Safety:

Conforms to construction requirement of:
UL5085-1, -2; CSA No. 66.1, 66.2
(from Datecode 1244 and onwards).
UL506, UL1411
UL1446 (CLASS 130(B))
EN61558-1, -2-6

Safety certificate file reference:
UL E138028, E79781, E92957
CSA 175561
TUV (P.S.) 4478013415698

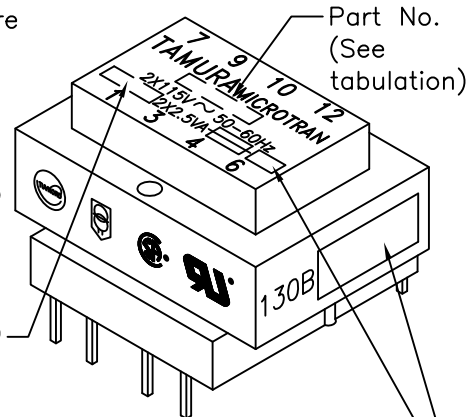
Non short-circuit proof safety isolating transformer.
Intended for mounting on PCBs and for building into end use-equipment. Fuse rating
Not intended for series/parallel connection with other transformers. (See tabulation)
Mounting hardware may reduce spacing in end use application.

D. Mechanical Specifications;



MODEL NUMBER

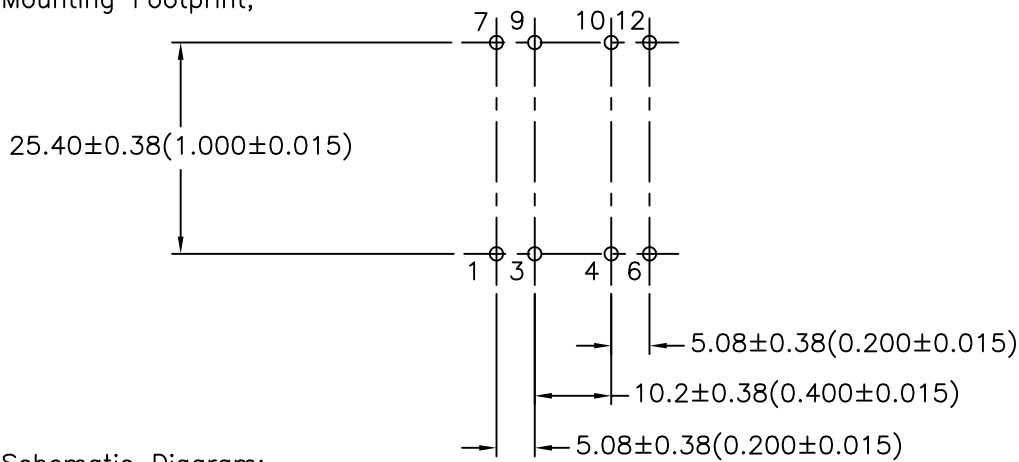
PL5.0-XX-130B



NOTE: BOARD WASHING IS NOT RECOMMENDED FOR THESE PARTS

DRAWING CONTROL NO. P-A1-12225	REV J	MODEL DESCRIPTION POWER TRANSFORMER	MODEL SPECIFICATION PL5.0-XX-130B
CONTENTS OF THIS DRAWING ARE SUBJECT TO CHANGE WITHOUT PRIOR NOTICE		TAMURA CORPORATION OF AMERICA 1040 SOUTH ANDREASEN DRIVE, #100 ESCONDIDO, CA. 92029 (760) 871-2009	DIM: mm[In] SCL: 1/1 SH: 1 OF 2
PROPRIETARY NOTICE: THIS DRAWING PRINT OR DOCUMENT AND SUBJECT MATTER DISCLOSED HEREIN ARE PROPRIETARY ITEMS TO WHICH TAMURA RETAINS THE EXCLUSIVE RIGHT OF DISSEMINATION, REPRODUCTION, MANUFACTURE AND SALE. THIS DRAWING, PRINT OR DOCUMENT IS SUBMITTED IN CONFIDENCE FOR CONSIDERATION BY THE RECIPIENT ALONE UNLESS PERMISSION FOR FURTHER DISCLOSURE IS EXPRESSLY GRANTED IN WRITING.			

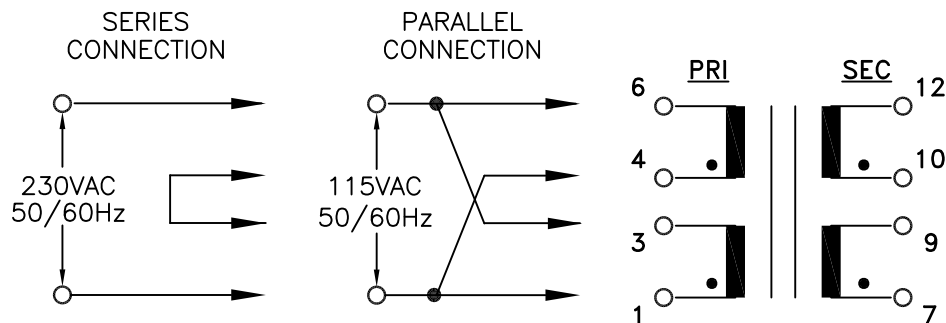
E. Mounting Footprint;



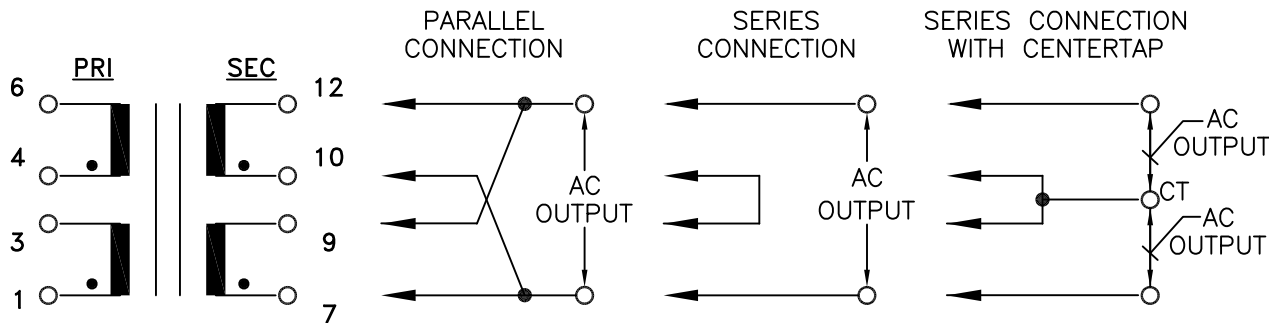
MODEL NUMBER
PL5.0-XX-130B

F. Schematic Diagram:

PRIMARY INPUT CONNECTIONS



SECONDARY OUTPUT CONNECTIONS



G. Table A

T = Time lag

PART NO.	PARALLEL		SERIES		SERIES WITH CT		OUTPUT	SECONDARY FUSE REQ'D EACH WINDING
	AC VOLTS	RMS AMPS	AC VOLTS	RMS AMPS	AC VOLTS	RMS AMPS		
PL5.0-10-130B	5.0	1.00	10.0	0.50	5.0-CT-5.0	0.50	2X5.0V	T 0.50A
PL5.0-12-130B	6.3	0.80	12.6	0.40	6.3-CT-6.3	0.40	2X6.3V	T 0.40A
PL5.0-16-130B	8.0	0.62	16.0	0.31	8.0-CT-8.0	0.31	2X8.0V	T 0.315A
PL5.0-20-130B	10.0	0.50	20.0	0.25	10.0-CT-10.0	0.25	2X10.0V	T 0.25A
PL5.0-24-130B	12.0	0.42	24.0	0.21	12.0-CT-12.0	0.21	2X12.0V	T 0.25A
PL5.0-28-130B	14.0	0.36	28.0	0.18	14.0-CT-14.0	0.18	2X14.0V	T 0.20A
PL5.0-36-130B	18.0	0.28	36.0	0.14	18.0-CT-18.0	0.14	2X18.0V	T 0.16A

PREPARED BY:

C. POPPE

ENGINEER:

M. PITCHAI

SAFETY ENGINEER

DRAWING CONTROL NO. P-A1-12225
REV J

MODEL DESCRIPTION
POWER TRANSFORMER

MODEL SPECIFICATION
PL5.0-XX-130B

CONTENTS OF THIS DRAWING ARE SUBJECT TO CHANGE WITHOUT PRIOR NOTICE

TAMURA CORPORATION OF AMERICA
1040 SOUTH ANDREASEN DRIVE, #100 ESCONDIDO, CA. 92029
(760) 871-2009

DIM: mm[In] SCL: 1/1 SH: 2 OF 2

APPROVED:

M. PITCHAI

PROPRIETARY NOTICE: THIS DRAWING PRINT OR DOCUMENT AND SUBJECT MATTER DISCLOSED HEREIN ARE PROPRIETARY ITEMS TO WHICH TAMURA RETAINS THE EXCLUSIVE RIGHT OF DISSEMINATION, REPRODUCTION, MANUFACTURE AND SALE. THIS DRAWING, PRINT OR DOCUMENT IS SUBMITTED IN CONFIDENCE FOR CONSIDERATION BY THE RECIPIENT ALONE UNLESS PERMISSION FOR FURTHER DISCLOSURE IS EXPRESSLY GRANTED IN WRITING.